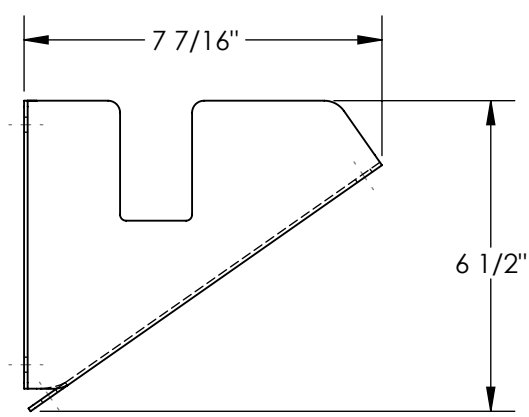
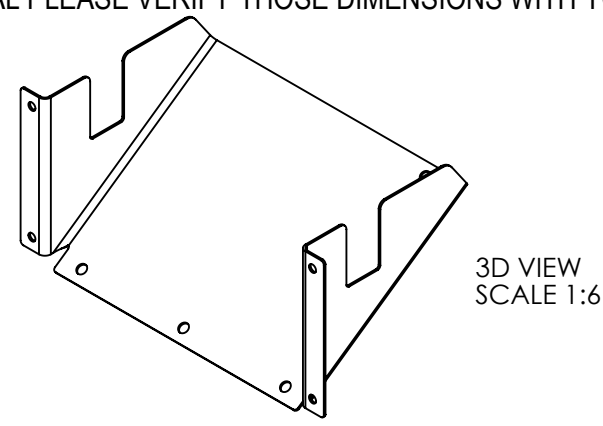
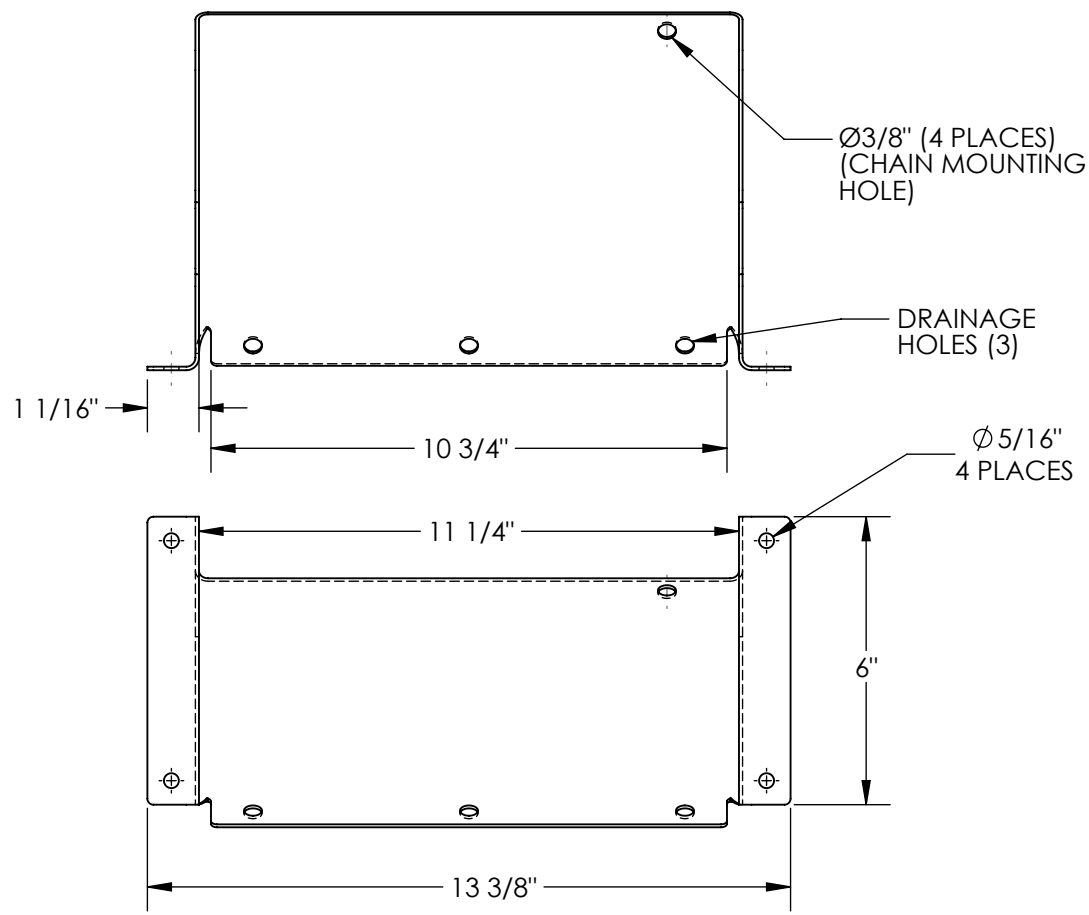


WHEEL CHOCK HOLDER - WC-H

APPROX WEIGHT: 3.33 lbs.
 DOES NOT INCLUDE WEIGHT OF POWER OR PACKAGING!!!

*** ANY ADDITIONS, DELETIONS, OR OMISSIONS MUST BE CORRECTED ON THIS DRAWING AS THIS DRAWING WILL BE CONSIDERED ALL INCLUSIVE ***

ALL GRAPHICS PROVIDED ARE FOR REFERENCE ONLY. IF CERTAIN DIMENSIONS ARE CRITICAL PLEASE VERIFY THOSE DIMENSIONS WITH YOUR SALESPERSON



DIMENSION TOLERANCE ± 1/4"

STANDARD FEATURES

- MODEL NUMBER IS: WC-H
- MAX. UNIFORM CAPACITY: 40 LBS.
- OVERALL WIDTH IS: 13 3/8"
- OVERALL DEPTH IS: 7 7/16"
- OVERALL HEIGHT IS: 6 1/2"
- USABLE WIDTH IS: 11 1/4"
- (4) Ø5/16" MOUNTING HOLES
- STEEL CONSTRUCTION
- YELLOW POWDERCOAT FINISH

SPECIAL FEATURES

NONE

APPROVAL

I, THE UNDERSIGNED, AGREE THAT THE PRODUCT AS REPRESENTED SATISFIES DESIGN AND DIMENSION REQUIREMENTS. I ALSO ACKNOWLEDGE MY DUTY TO CONFIRM PRODUCT AND INSTALLATION COMPLIANCE WITH ALL APPLICABLE FEDERAL, STATE AND LOCAL REGULATIONS AND STANDARDS.
ALL SPECIAL UNITS ARE NON-RETURNABLE
 As drawn As marked

Signed: _____ Date: _____

LEAD TIME WILL START UPON RECEIPT OF SIGNED APPROVAL DRAWING

DISTRIBUTOR'S NAME:		P.O.#
VESTIL MANUFACTURING		X
DRAWN BY:	DATE:	W.O.#
TJM	10/17/13	X
REFERENCE:	SCALE:	SALES:
X	1:4	X
QUOTED LEAD TIME:	QUOTE #	FILE NAME:
X	X	23-007-483